

# Check Valves

## Check Valves

SSI Soft-Seat Check Valves are designed of 316 stainless steel, Teflon®, and Kalrez®, an elastomer with universal chemical resistance. The elastomer provides a tight seal at low back pressure and a metal back-up protects the seal at high pressure.

The gravity-assisted poppet design, mounted vertically, eliminates the use of springs. The low opening pressure of less than 0.5 psi allows the SSI check valve to be employed on the suction (inlet) side of an LC pump. Internal volume is low and well-swept.

Typical check valve applications include back-up to both inlet and outlet pump check valves. Used in this manner, SSI check valves can improve flow rate precision and reduce pulsations, especially in less sophisticated reciprocating pumps. The improvement is due to the fact that SSI soft-seat check valves form a tight seal while typical hard-seat pump check valves have an inherently higher leak rate.

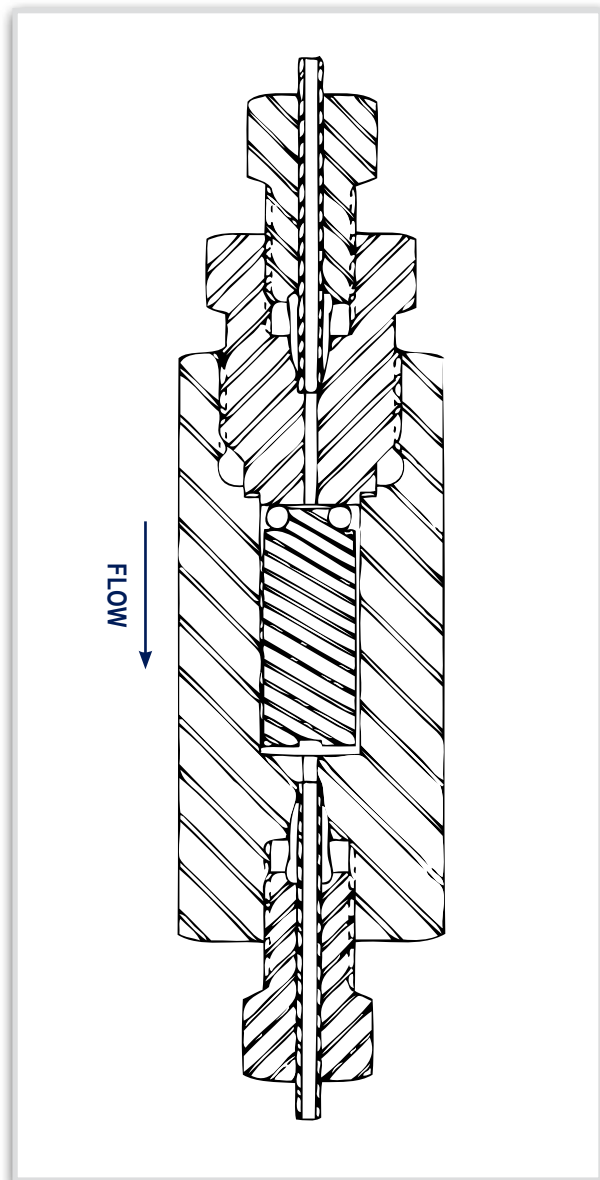
SSI also makes many other types of special back-pressure and check valves, including hard-seat designs. Call for more information.

## Ordering Information

Description	Tubing O.D.	Internal Volume	Part No.
Check Valve, soft seat	1/16"	121 µL	02-0129
Check Valve, soft seat	1/8"	203 µL	02-0130

## Replacement Seals

Replacement check valve seal, Kalrez®	90-1001
---------------------------------------	---------



Rev.2 - 9/9/09